




STERIVALVE: technical characteristics

- Valve body in stainless steel 1.4404 (AISI 316L) or in advanced FDA approved plastic.
- Gasket in silicone, EPDM, FKM (Viton®) or PTFE: all elastomers are FDA approved (CFR § 177.2600).
- PTFE bushings.
- Other Components in stainless steel EN 1.4301 (AISI 304).
- Finish: inside high polish [$Ra < 0,1 \mu m$], outside satin [$Ra < 0,8 \mu m$].
- Drive: handle or rotary pneumatic actuator.

STERIVALVE



The **SteriValve** represents the core product that is why it also shares the company's name. It is a butterfly valve designed to be used in the pharmaceutical and food industries, where hygiene is essential (for example in the production of children's powdered milk). It has been designed for powders, but offers a good hydraulic resistance to gas, and guarantees, when closed, full vacuum.

The particular compact design, free of recesses and interstices allows total cleaning of the valve, and easy handling. Its shape allows connection to a large range of machinery in different ways: it can be directly welded onto two pipes (inlet and outlet) or can be adapted to be inserted between two flanges (sandwich); it can be welded on one side or even connected by clamp to an interface flange. The **SteriValve** offers many advantages: the clamp that is supplied with the valve makes it more ergonomic and sterile. It is not equipped with any small component (washers, screws, seegers) which could be lost, damage the machinery or worse contaminate the product. The torque value is very low so an operator can easily open it by using a lever.

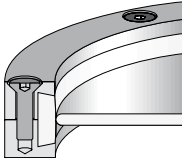
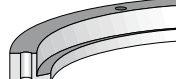
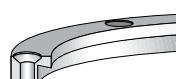
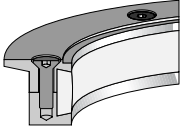
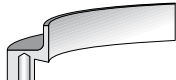
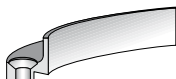
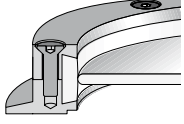


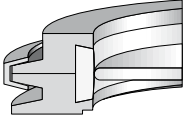
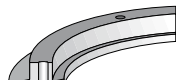
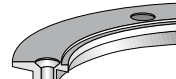
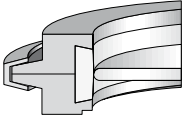
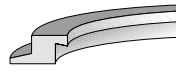
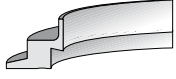
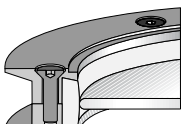
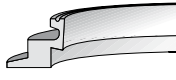
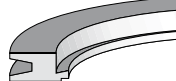
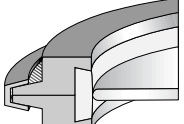
The **SteriValve** is part of the modular system offered by **SteriValve**. This system allows the interchangeability of all the components pertaining to the range of our sanitary valves.

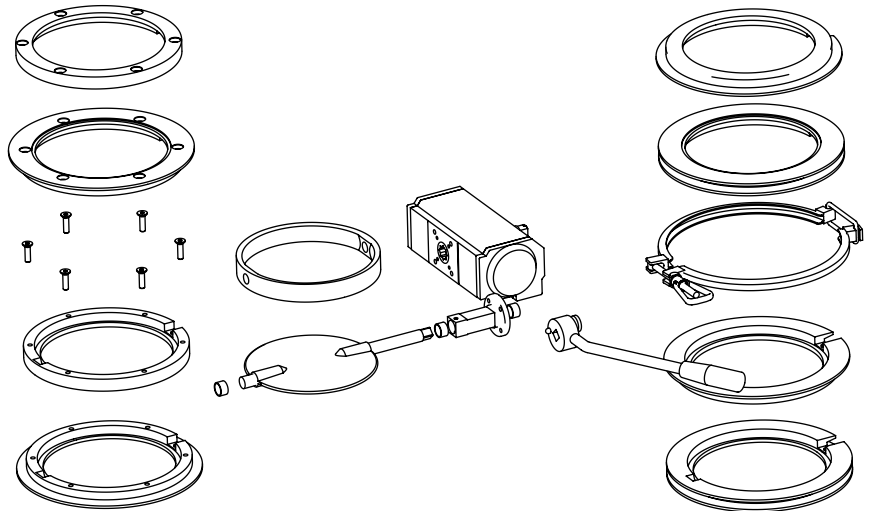
Upon customer's request **SteriValve** can be personalized. It is possible to choose materials, dimensions and interfaces in order to meet various requirements. We are able to provide solutions to hold relatively high pressure, to dose processes through a "box system", two valves connected through one pipe.



STERIVALVE APPLICATIONS

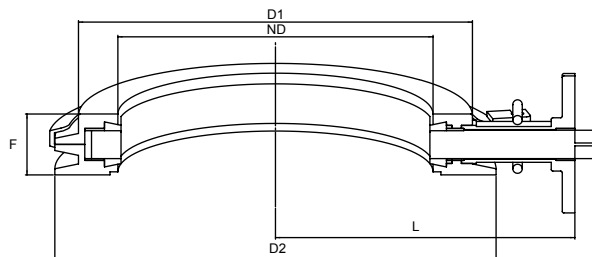
SteriValve are used for all bulk materials, powders and granulates. It can suit a wide range of applications but it has particular advantage to light duty operations in connection to portable bins. **SteriValve** is performed according to CGMP and like all other valves of our modular system is suitable for CIP/SIP applications.

TYPES	COMPONENTS
	 HSB N
STV SX	 HST N
	 HSB C
STV BX	 HST C
	 HSB T
STV CX	 HST T
	 HCB N
STV CR	 HCT N
	 HSR N
STV SR	 HSR C
	 HSR T
STV DX	 HCR N
	
STV DR	



STERIVALVE DIMENSIONS

ND	D1	D2	F	L	øA
80	130	145	36	120	10ø15
100	150	180	36	130	10ø15
150	200	230	40	165	10ø18
200	250	280	40	190	14ø18
250	300	330	45	225	14ø22
300	350	380	45	250	14ø22
350	420	450	65	290	22ø30
400	470	500	65	315	22ø30



SteriValves Srl - Via Enrico Mattei, 393 55100 Lucca, Italy

T +39 0583 440 560 F +39 0583 440 559

www.sterivalves.eu VAT IT01722430467